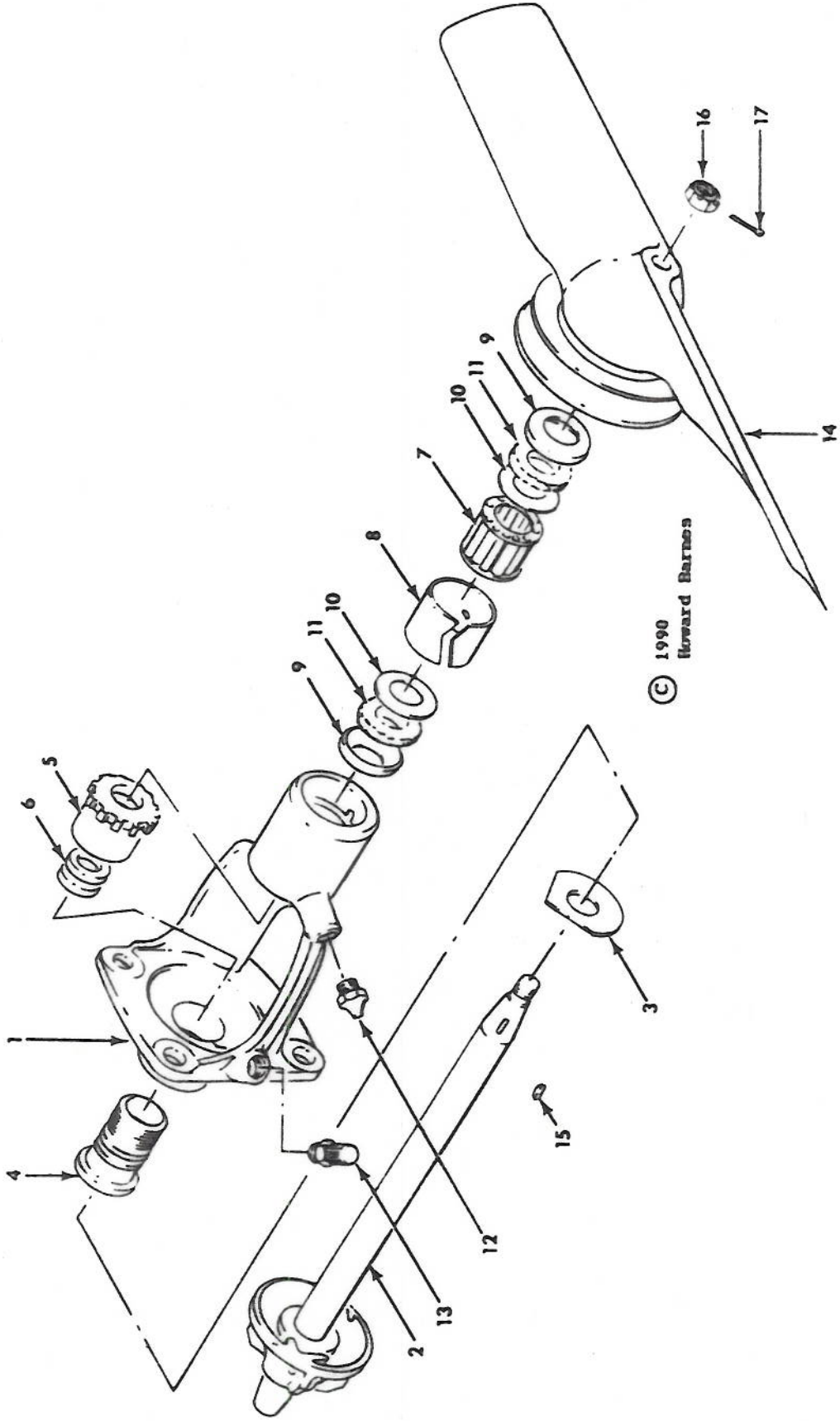


**Model A Ford
WATER PUMP & FAN
1928-1931**



© 1990
Howard Barnes

Distributed by:
Model A Ford Club of America
260 S. Cypress Street
La Habra, California 90631

**Model A Ford
WATER PUMP & FAN
1928-1931**

Index Number	Part Number	Nomenclature	Number Required
1	A-8505	Water Pump Body Assembly	1
2	A-8510	Shaft Assembly	1
3	A-8513-A	Impeller Washer	1
4	A-8520-A	Rear Bushing	1
5	A-8523-A	Bushing Nut	1
6	A-8524-A	Packing	1
7	A-8530-A	Shaft Roller Bearing	1
8	A-8535	Roller Bearing Sleeve	1
9	A-8540	Bearing Retainer (Felt)	2
10	A-22373	Plain Washer 21/32" (1/32 x 1 5/32)	1
11	A-8542	Bearing Felt	2
12	A-24406	Lubricator Fitting (1/8 Water Pump Type) - Front	1
13	A-24405	Lubricator Fitting (1/8 Check Valve Type) - Rear	1
14	A-8600	Fan Assembly	1
15	A-23902	Woodruff Key No. 3 (1/8 x 21/64 x 3/16)	1
16	A-21791-S3	Castle Nut 7/16"-20 (29/64 x 5/8)	1
17	A-23531	Cotter Pin (3/32 x 3/4)	1